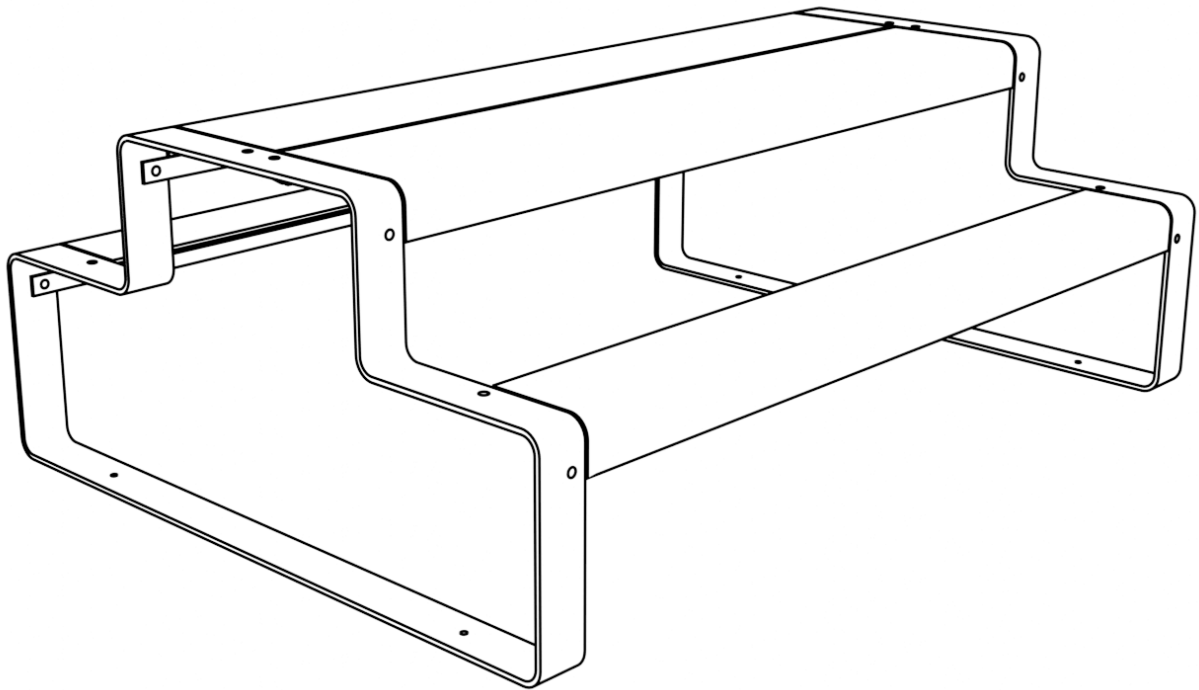


Outline



Outline - Material & Colours

Laminate sheets



Fumo
NCS S 5502-Y + 6502-Y
RAL 850-5 + 850-4



Patina
NCS S 4010-B90G + 5010-B90G
RAL 160 60 10+ 160 50 10



Marone
NCS S 5030-Y50R + 6030-Y50R
RAL 050 40 30 + 050 40 20

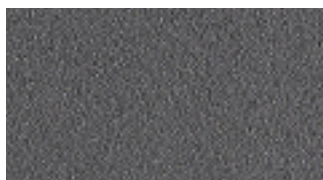


Rust
NCS S 4550-Y50R + 4550-Y60R
RAL 050 40 40 + 040 40 40



Sunny
NCS S 2060-Y20R + 2070-Y20R
RAL 070 70 60 + 070 60 60

Steel parts



Graphite grey
NCS S 7500-N
RAL 7024