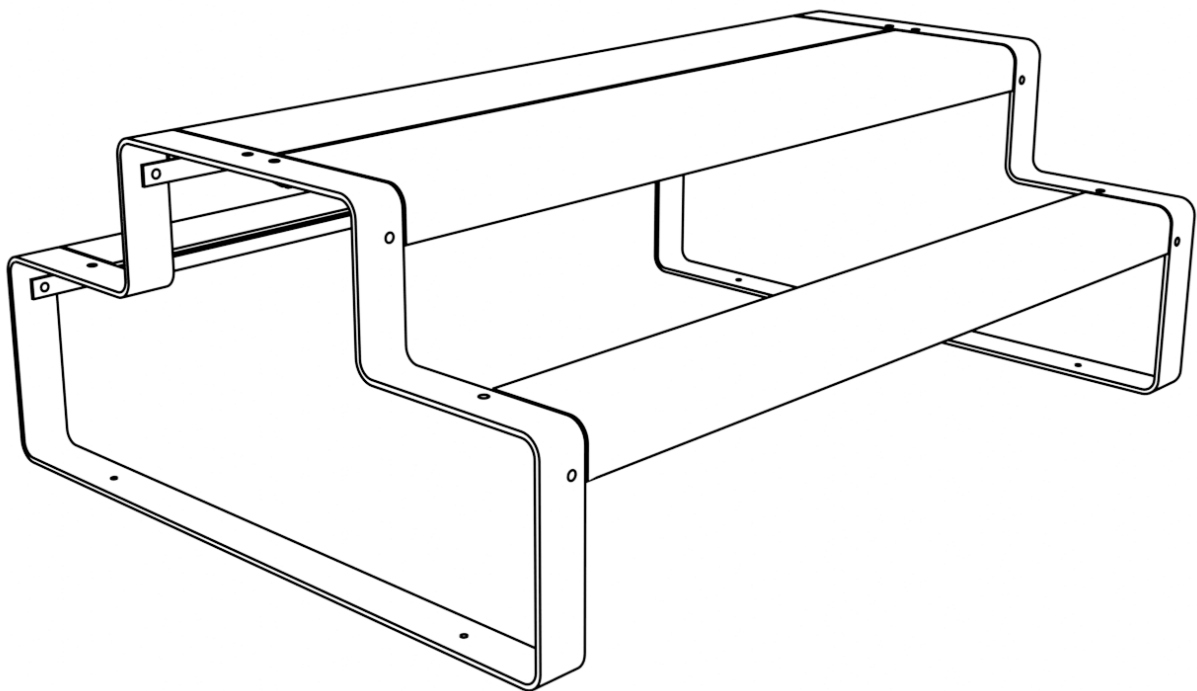
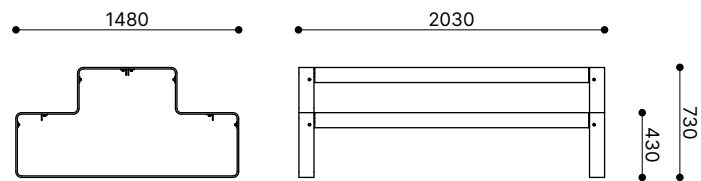


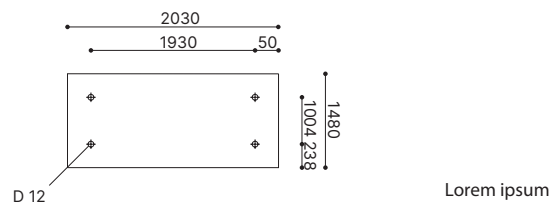
Outline



Outline - Dimensions

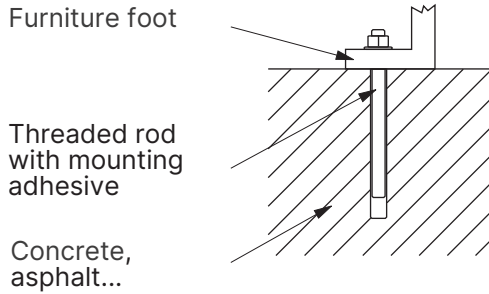


Outline - Dimensions for Ground Fixation

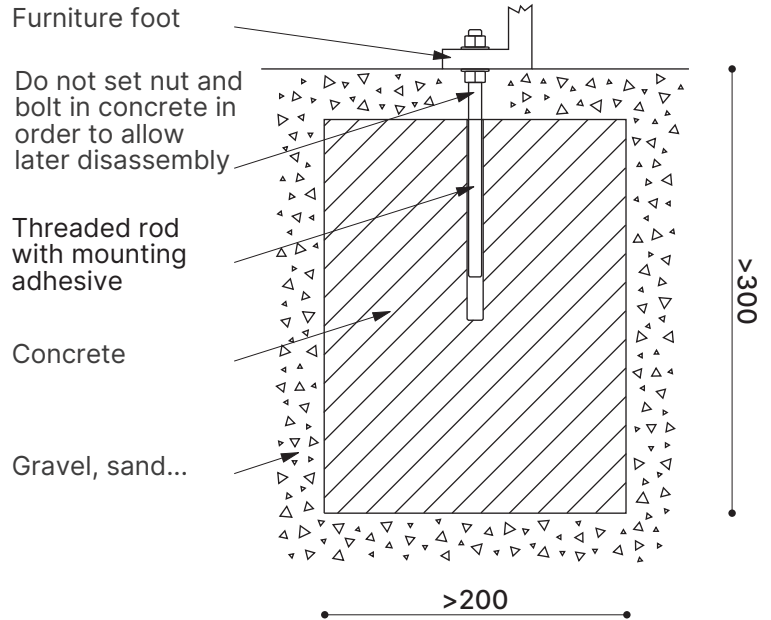


Outline - Options of Ground Fixation

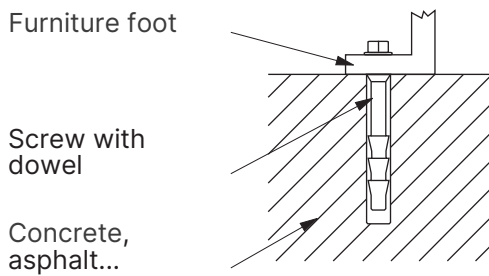
Without foundation with threaded rod



With foundation with threaded rod



Without foundation with screw and dowel



With foundation with ground anchor

