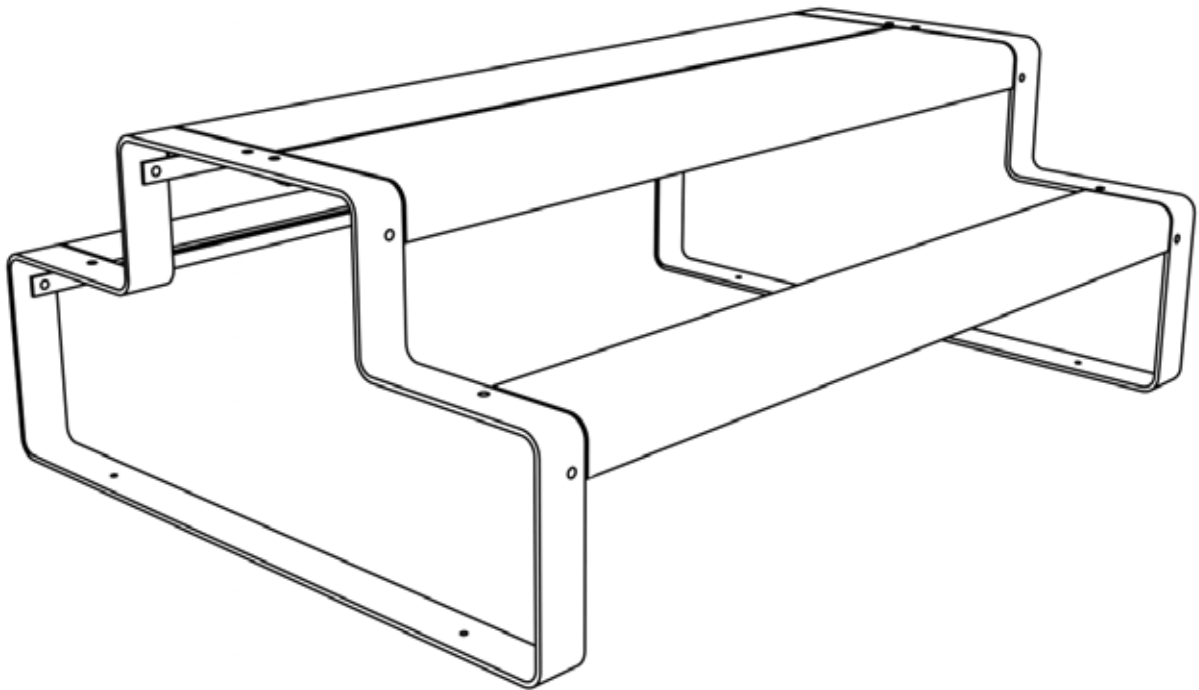
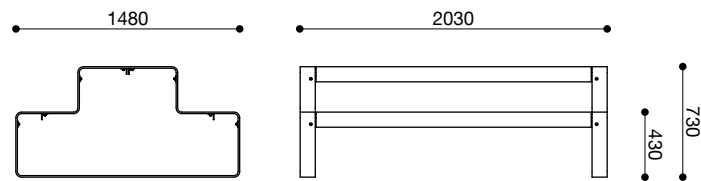


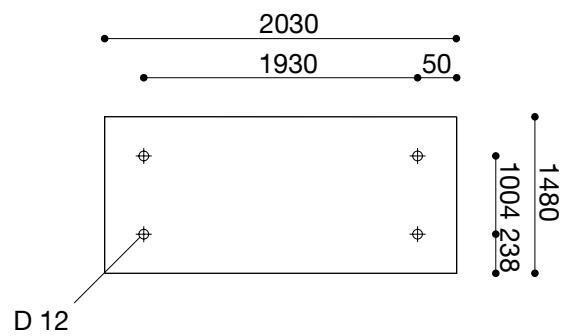
# Outline



## Outline - Dimensions

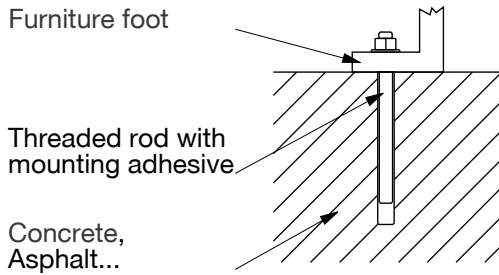


## Outline - Dimensions for Ground Fixation

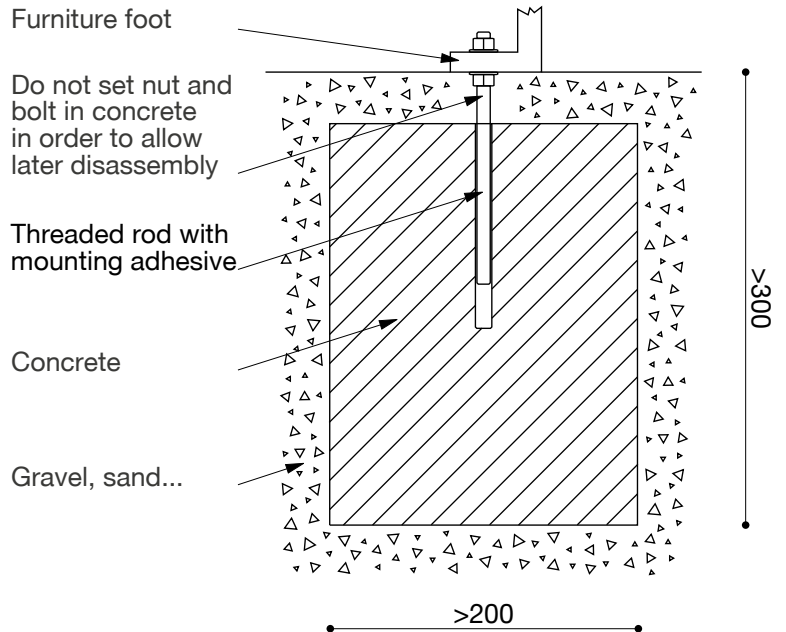


# Outline - Options of Ground Fixation

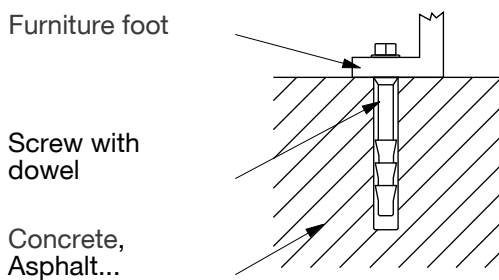
## Without foundation with threaded rod



## With foundation with threaded rod



## Without foundation with screw and dowel



## With foundation with ground anchor

