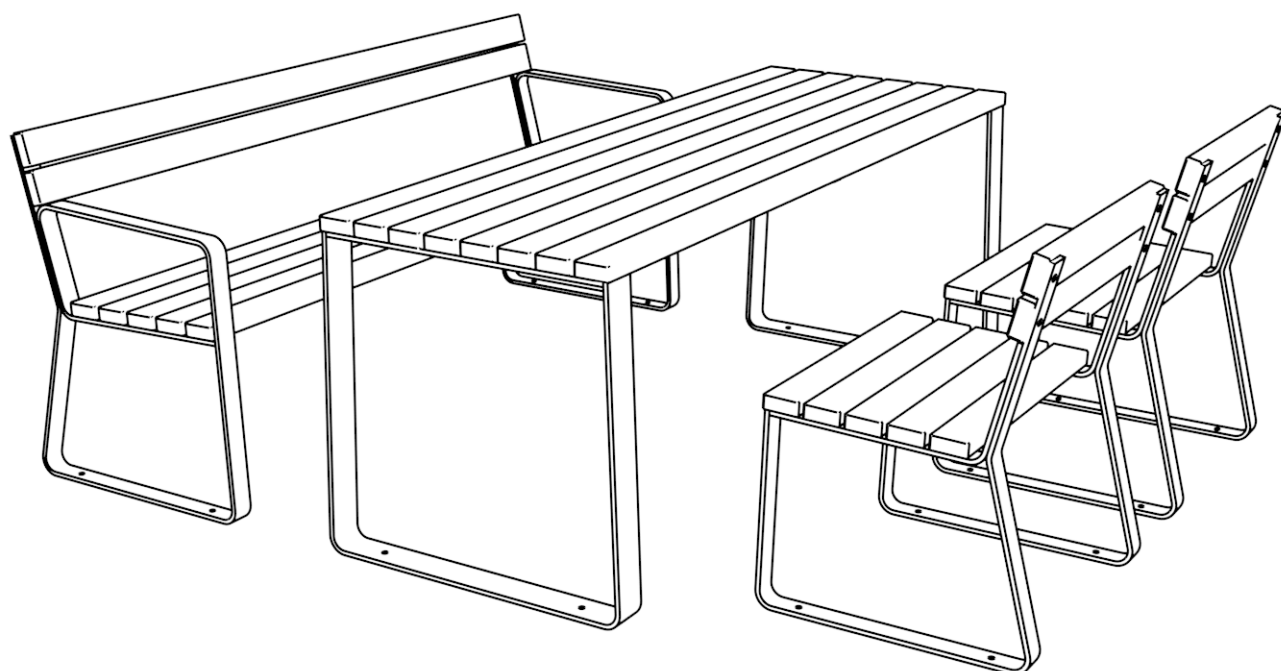


Henry

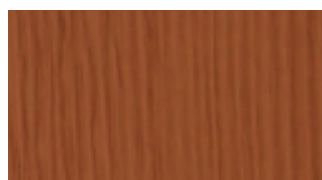


Henry - Material & Colours

Larch wood



Untreated



Transparent glaze

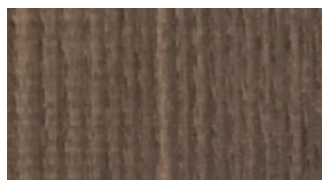


Graphite grey
RAL 7024
NCS S 8000-N



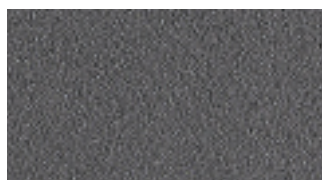
Brown red
RAL 3011
NCS S 3560-Y90R

Thermo Ash Wood



Untreated

Steel parts



Graphite grey
NCS S 7500-N
RAL 7024